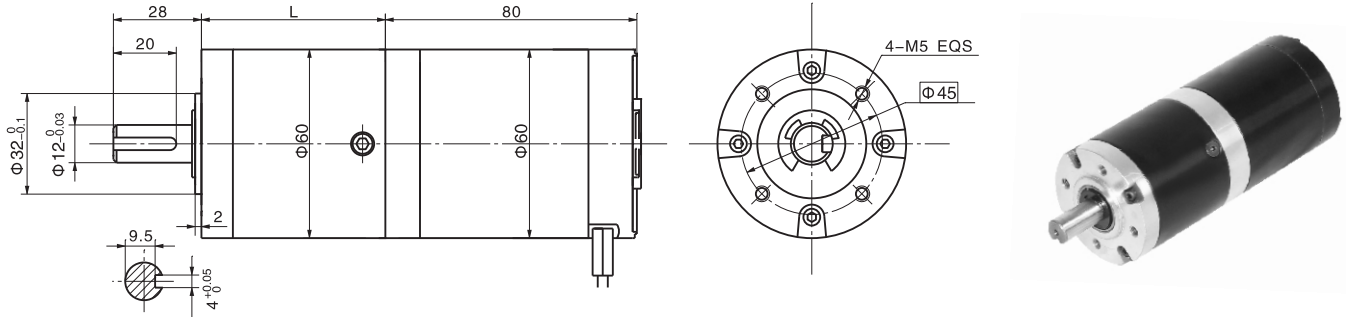


永磁直流行星齿轮电机 PM DC Planetary Gear Motor

60JX200K/60ZY75

Φ60标准型减速器, 允许转矩范围: 2N.m~20N.m
60mm OD Standard Gearbox,
Permissible Load Range: 2N.m~20N.m

● 外形和安装尺寸 Dimensions



● 电动机主要技术参数 Motor Technical Data

电机型号 Type	额定电压 Rated voltage VDC	空载转速 No-load speed r/min	空载电流 No-load current A	额定转速 Rated speed r/min	额定转矩 Rated torque mN.m	输出功率 Output power W	额定电流 Rated current A	堵转转矩 Stall torque N.m	堵转电流 Stall current A
60ZY75-2412	24	1200	0.16	890	40	3.7	0.43	0.15	1.1
60ZY75-2420	24	2000	0.3	1500	35	5	0.8	0.19	2.4
60ZY75-2430	24	3000	0.4	2500	40	10	1.1	0.26	5

● 齿轮减速电机主要技术参数 Gear Motor Technical Data

配置60ZY75-2412直流电机 (60ZY75-2412 DC Motor)

减速比 Reduction ratio	3.6	4.25	13	15	18	47	55	65	76	168	198	234	276	326
减速级数 Number of gear trains	1	1	2	2	2	3	3	3	3	4	4	4	4	4
减速器长度(L) Length(L) mm	34.5	34.5	45.8	45.8	45.8	57.1	57.1	57.1	57.1	68.4	68.4	68.4	68.4	68.4
空载转速 No-load speed r/min	333	282	92	80	67	25	22	18	16	7.1	6.1	5.1	4.3	3.7
额定转速 Rated speed r/min	247	209	68	59	49	19	16	14	12	5.3	4.5	3.8	3.2	2.7
额定转矩 Rated torque N.m	0.13	0.15	0.42	0.49	0.58	1.4	1.6	1.9	2.2	4.4	5.1	6.1	7.2	8.5
最大瞬间允许负载 Max. permissible load in a short time N.m	6	6	25	25	25	50	50	50	50	60	60	60	60	60

配置60ZY75-2420直流电机 (60ZY75-2420 DC Motor)

减速比 Reduction ratio	3.6	4.25	13	15	18	47	55	65	76	168	198	234	276	326
减速级数 Number of gear trains	1	1	2	2	2	3	3	3	3	4	4	4	4	4
减速器长度(L) Length(L) mm	34.5	34.5	45.8	45.8	45.8	57.1	57.1	57.1	57.1	68.4	68.4	68.4	68.4	68.4
空载转速 No-load speed r/min	556	471	154	133	111	43	36	31	26	12	10	8.5	7.2	6.1
额定转速 Rated speed r/min	417	353	115	100	83	32	27	23	20	8.9	7.6	6.4	5.4	4.6
额定转矩 Rated torque N.m	0.11	0.13	0.37	0.43	0.51	1.2	1.4	1.7	1.9	3.8	4.5	5.3	6.3	7.4
最大瞬间允许负载 Max. permissible load in a short time N.m	6	6	25	25	25	50	50	50	50	60	60	60	60	60

配置60ZY75-2430直流电机 (60ZY75-2430 DC Motor)

减速比 Reduction ratio	3.6	4.25	13	15	18	47	55	65	76	168	198	234	276	326
减速级数 Number of gear trains	1	1	2	2	2	3	3	3	3	4	4	4	4	4
减速器长度(L) Length(L) mm	34.5	34.5	45.8	45.8	45.8	57.1	57.1	57.1	57.1	68.4	68.4	68.4	68.4	68.4
空载转速 No-load speed r/min	833	706	230	200	167	64	54	46	39	18	15	13	11	9.2
额定转速 Rated speed r/min	694	588	192	167	139	53	45	38	33	15	12	10	9.0	7.7
额定转矩 Rated torque N.m	0.13	0.15	0.42	0.49	0.58	1.4	1.6	1.9	2.2	4.4	5.1	6.1	7.2	8.5
最大瞬间允许负载 Max. permissible load in a short time N.m	6	6	25	25	25	50	50	50	50	60	60	60	60	60